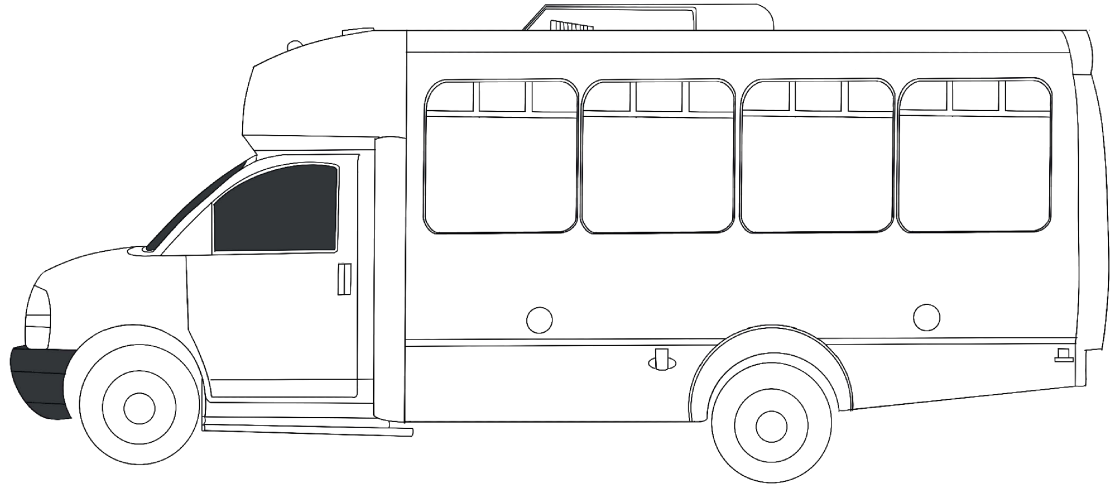


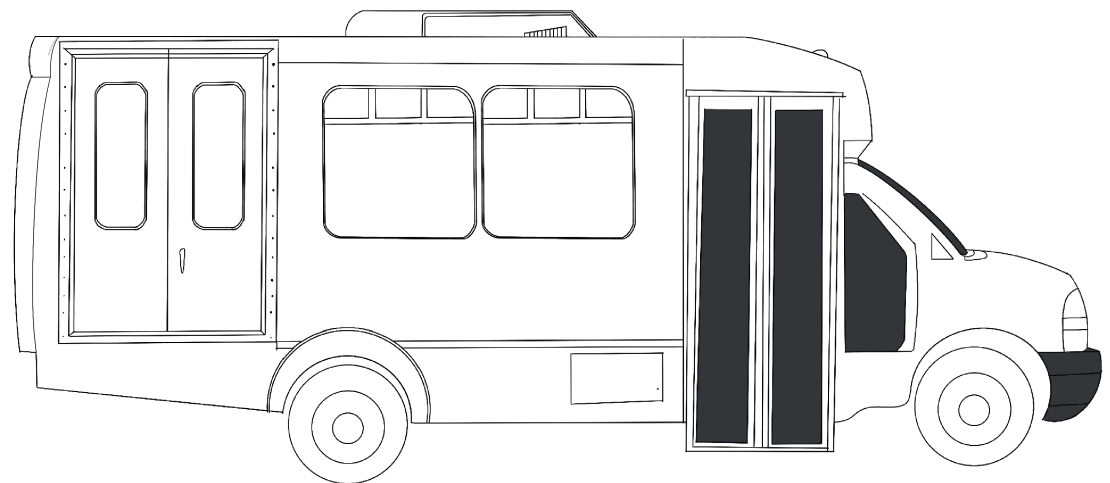
Design a Bus Wrap Art Contest Template (Detailed)

- Do not design in black area.
- Fine art/hand drawn entries should use blank (Simple) bus template on next page to avoid outlines in final design.

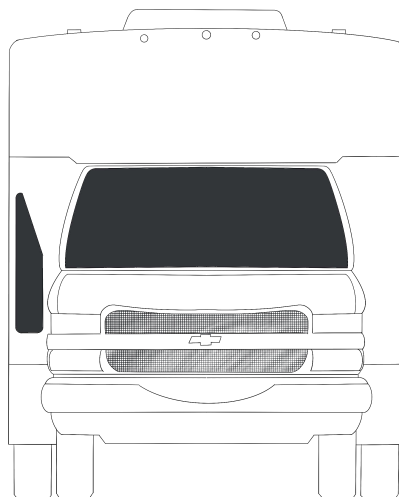
Driver's Side



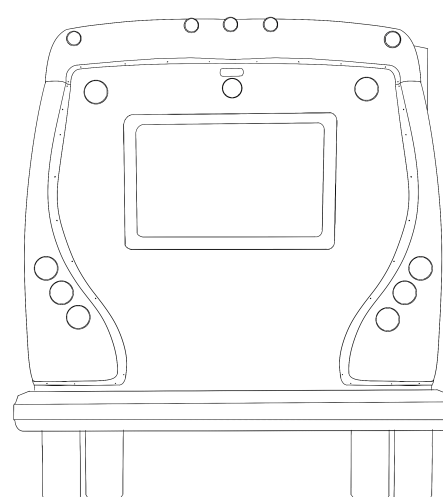
Passenger's Side



Front



Rear



Name: _____

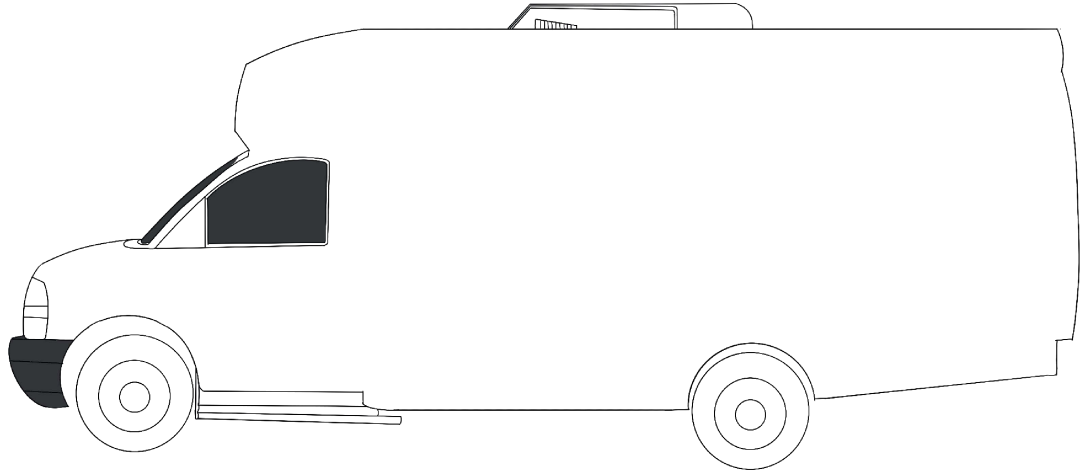
Email: _____

Contest entry form must also be submitted with all entries. Forms are available at www.laketran.com

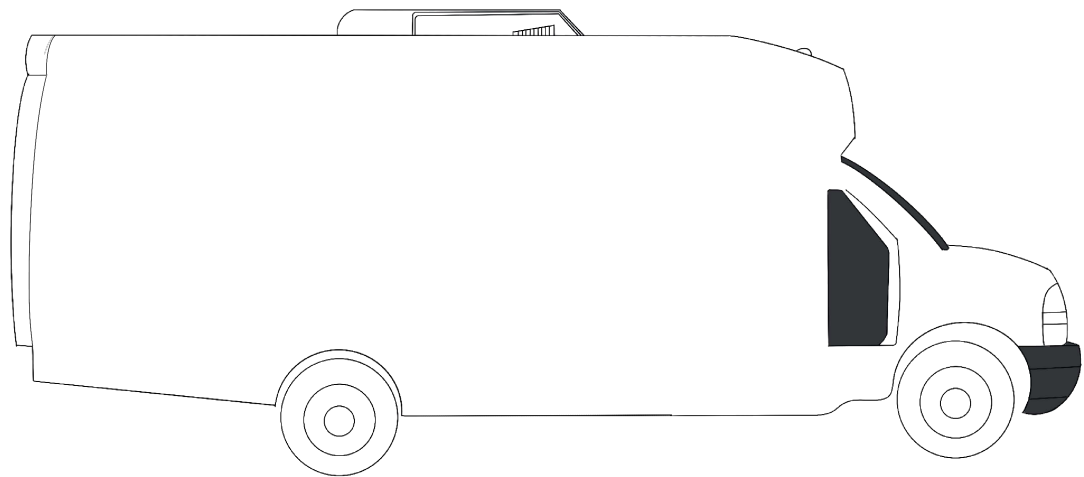
Design a Bus Wrap Art Contest Template (Simple)

- Do not design in black area.
- Fine art/hand drawn entries should use blank (Simple) bus template below to avoid outlines in final design.

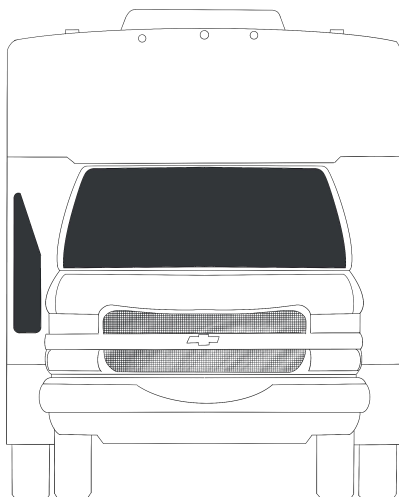
Driver's Side



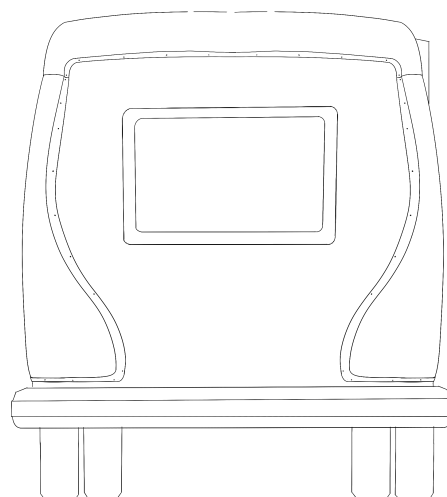
Passenger's Side



Front



Rear



Name: _____

Email: _____

Contest entry form must also be submitted with all entries. Forms are available at www.laketran.com